

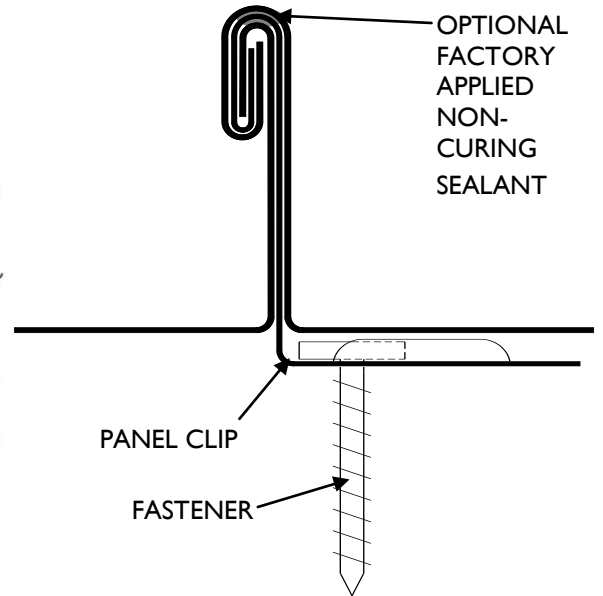
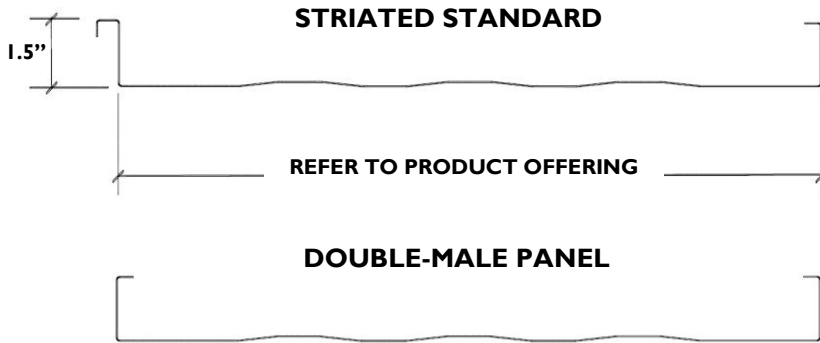


# DOUBLE-LOCK DL15



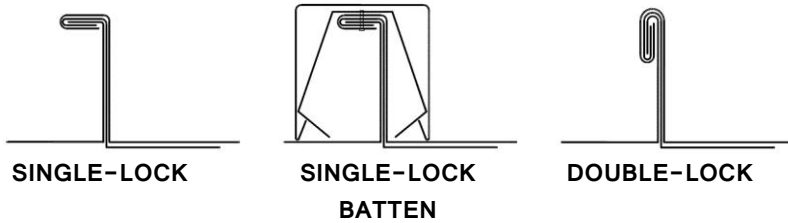
[www.dmimetals.com](http://www.dmimetals.com)

## DL15 PANEL PROFILE:

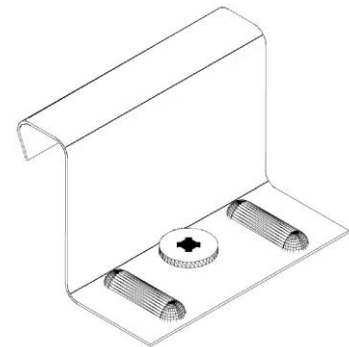
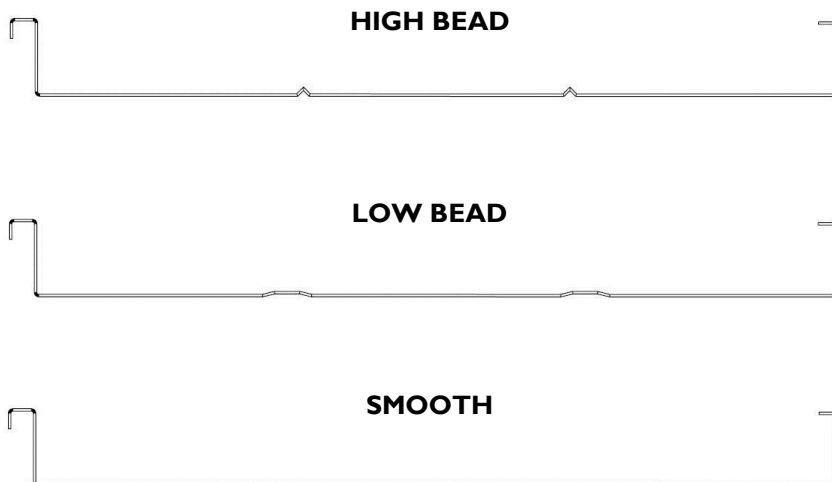


## SEAM CROSS SECTION

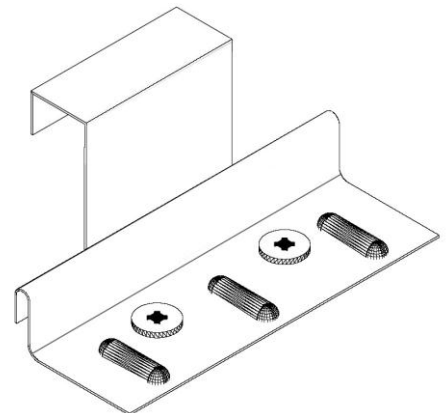
## OPTIONAL SEAM PROFILE CROSS SECTIONS :



## OPTIONAL STIFFENER PATTERNS:



## DL15 FIXED CLIP



## DL15 EXPANISON CLIP

## DOUBLE-LOCK DL15 (continued)

### STANDARD PRODUCT OFFERING

24 ga., 22 ga. Steel, and .032 Aluminum:

<u>MODEL NO.</u>	<u>SEAM ON-CENTER</u>
DL1512	12"
DL1517	17"
DL1520	20"

16 oz. and 20 oz. Copper:

<u>MODEL NO.</u>	<u>SEAM ON-CENTER</u>
DL1514	14"
DL1520	20"

Custom panel widths are available. Consult DMI for associated costs and lead times.

SINGLE-LOCK (designated SL instead of DL) model numbers are similar to those stated above.

SINGLE-LOCK BATTEN (designated SLB instead of SL) model numbers are similar to those stated above.

**PRODUCT:** DOUBLE-LOCK DL15 is a structural panel which is mechanically seamed during installation. The product is an integral interlocking system by design meaning the panels install in one direction from a given starting point. A DL15DM (double-male) starter panel is available (for a minimal set-up fee) and may be installed in the middle of a roof area to achieve a symmetrical layout. DOUBLE-LOCK utilizes the traditional SMACNA standing seam "double-lock" plate. Optional panel joint designs provide a wide range of overall building aesthetics. DOUBLE-LOCK is a very flexible panel design which works well with a wide range of building designs.

**NOTE:** Continuous lengths from 4'-0" (min.) up to 90'-0" (max.) is standard. Lengths over 53' require additional crating fees and special hauling permits. Contact DMI for details.

Roof slopes under 3:12 require the use of hydro-static details. See DMI technical binder for more information.

22 ga. Steel is not stocked in all colors. Minimum order quantities and extended lead times may accompany panel orders when utilizing these substrates. 22 Ga. cannot be double-locked.

Oil-canning, the slight waviness inherent with light gauge metal, does not affect the finish or structural integrity of the panel and is therefore not cause for rejection.

All DOUBLE-LOCK products are striated standard. See front for other optional stiffener patterns.

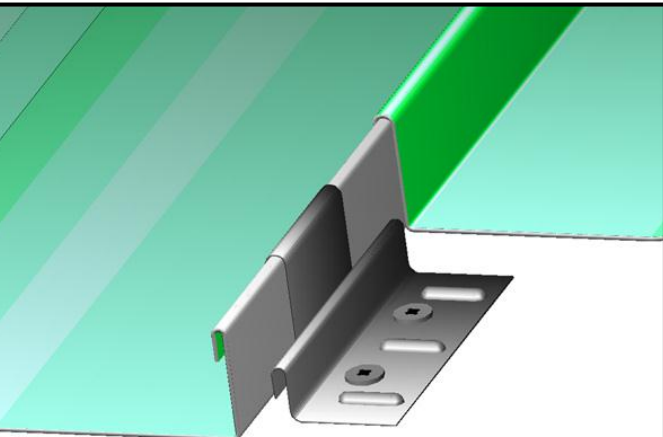
Double Male panels are not recommended with metallic finishes due to the paint finish being directional and may cause color variation or shading.

**ROOF ASSEMBLIES:** DOUBLE-LOCK DL15 can be applied over various roof assemblies including: open framing, rigid insulation (utilizing a bearing plate under each panel clip spaced 30" o.c., max.) over 22 ga. corrugated steel deck, and various solid substrates including plywood sheathing, nail base insulation, or steel deck.

**PRODUCT USES AND APPLICATIONS:** Product uses include low to high slope roofing, vertical fascia, equipment screens, mansards, and wall panels. This system may also be installed on tapered and curved roof areas.

#### ADVANTAGES:

1. UL-90 classified assemblies: high wind uplift loading capacities
2. ASTM Air, Water Infiltration and Structural Tested: proven air and water tightness
3. Factory Applied Non-Curing Sealant: superior watertightness
4. SMACNA Seam Design: a traditional and historical aesthetic appearance
5. Mechanically Seamed: may be installed on low slope applications
6. Expansion Clips: allows for thermal expansion and contraction
7. Continuous Rollformed Lengths: eliminates need for panel lap joints.



#### DIMENSIONAL METALS, INC.

DMI has specialized in the manufacturing of Architectural Metal Panel Systems and Fabricated Architectural Sheet Metal for the construction industry for over 17 years. We use the most technologically advanced Fixed Base Roll-Forming Equipment with in house quality control so that we can offer the highest product quality available.

Please contact our Engineering Department today for technical assistance.

#### Headquarters

58 Klema Drive North  
Reynoldsburg, OH 43068  
Tel: 800-828-1510  
Fax: 740-927-3319

#### North Carolina

Tel: 800-919-1510

Web: [www.dmimetals.com](http://www.dmimetals.com)

E-mail: [sales@dmimetals.com](mailto:sales@dmimetals.com)

