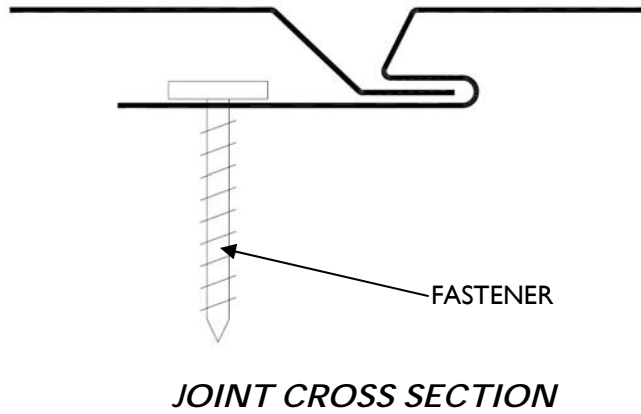




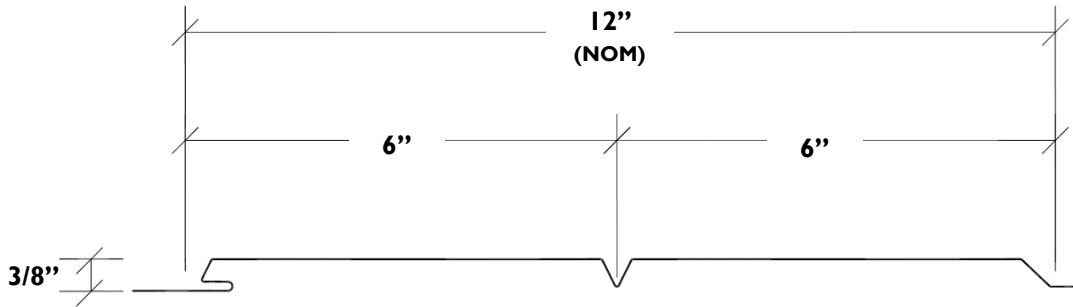
VENTED SOFFIT

VS0512

www.dmimetals.com



VS05 PANEL PROFILE:



OPTIONAL VENTING:



VENTED SOFFIT VS05 (continued)

STANDARD PRODUCT OFFERING

24 ga. Steel and .032 Aluminum:

<u>MODEL NO.</u>	<u>SEAM ON-CENTER</u>
VS0512	12"

PRODUCT: VENTED-SOFFIT VS-05 is a commercial grade soffit panel system that provides a sturdy compliment to any roof system. The product is an integral interlocking system by design meaning the panels install in one direction from a given starting point.

NOTE: DMI recommends a maximum panel length of 30'-0".

.032 aluminum is not stocked in all colors. Minimum order quantities and extended lead times may accompany panel orders when utilizing these substrates

Oil-canning, the slight waviness inherent with light gauge metal, does not affect the finish or structural integrity of the panel and is therefore not cause for rejection.

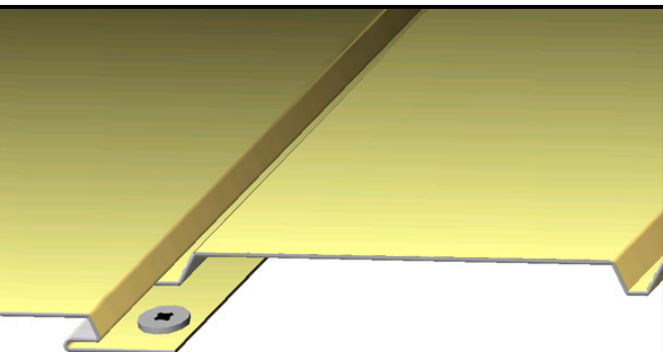
Panel is available in smooth or perforated material. DMI recommends the use of .032 Aluminum when perforating is required.

CONSTRUCTION ASSEMBLIES: VENTED-SOFFIT VS-05 may be applied over various supports including: light gauge framing, hat channels, wood stringers (each of which are to be spaced 24" o.c., max.), or over a solid substrate when the non-perforated profile is used.

PRODUCT USES AND APPLICATIONS: Product uses include vertical walls and fascia bands, light duty equipment screens, and soffit.

ADVANTAGES:

1. No Panel Clips: fast and easy installation
2. 20% free air permeation: ventilation of soffit areas



DIMENSIONAL METALS, INC.

DMI has specialized in the manufacturing of Architectural Metal Panel Systems and Fabricated Architectural Sheet Metal for the construction industry for over 17 years. We use the most technologically advanced Fixed Base Roll-Forming Equipment with in house quality control so that we can offer the highest product quality available.

Please contact our Engineering Department today for technical assistance.

Headquarters
58 Klema Drive North
Reynoldsburg, OH 43068
Tel: 800-828-1510
Fax: 740-927-3319

North Carolina
Tel: 800-919-1510

Web: www.dmimetals.com
E-mail: sales@dmimetals.com

